

Schedule AStandards Respecting
Vehicle Weights and Dimensions Limits
in Atlantic Canada**1. Vehicle Weight and Dimension Limits**

(a) General Dimensional Limits

Dimension	Limit
1. Overall Height Limit	Max 4.15 m
2. Overall Width Limit	Max 2.6 m
3. Overall Length Limit	
Tractor Semitrailer	Max 23 m
A, B and C Train Doubles	Max 25 m
Truck - Pony Trailer Combination	Max 23 m
Truck - Full Trailer Combination	Max 23 m
4. Box Length Limit	
A, B and C Trains	Max 20.0 m
Truck Trailer Combinations	Max 20.0 m
5. Trailer Length Limits	
Semitrailer	Max 16.2 m
Full Trailer	Max 12.5 m
Pony Trailer	Max 12.5 m

(b) Dimensional Controls - Wheelbases, Interaxle Spacings and Overhangs

Dimension	Limit
1. Tractor Wheelbase	Max 6.2 m ¹
2. Trailer Wheelbase Semitrailer Full Trailer Pony Trailer	Min 6.25 m/Max 12.5 m Min 6.25 m Min 6.25 m
3. Effective Rear Overhang Straight Trucks Semitrailers Full Trailers Pony Trailers	Max 4.0 m Max 35% of wheelbase Max 35% of wheelbase Max 4.0 m
4. Rear Overhang ²	Max 2.0 m
5. Front Overhang ³	Max 1.0 m
6. Kingpin Setback (Semitrailers)	Max 2.0 m radius
7. Track Width Semitrailers, Full Trailers and Pony Trailers With dual tires With single tires ⁴	Min 2.5 m Min 2.45 m
8. Minimum Interaxle Spacing Requirements ⁵ Single - Single ⁶ Single - Tandem ⁶ Single - Tridem Tandem - Tandem Tandem - Tridem	Min 3.0 m Min 3.0 m Min 5.0 m Min 5.0 m Min 5.5 m

¹ The tractor wheelbase can be up to 7.2 metres in a tractor-semi-trailer configuration, provided the wheelbase of the semi-trailer is reduced in accordance with Table A.

² Cargo may overhang the rear of the transporting truck or trailer up to 2.0 metres, provided the overall length and effective rear overhang limits are respected. Red warning flags are required on the rear of the cargo when the rear overhang exceeds 1.0 metre.

³ Cargo may overhang the front of the transporting truck or trailer by up to 1.0 metre, provided the overall length limit for the vehicle or vehicle combination is not exceeded, and in the case of semi-trailers, the cargo does not extend beyond a 2 metre radius about the kingpin.

⁴ The minimum track width for trailers fitted with single tires and manufactured prior to 2010 is 2.3 metres.

⁵ Vehicle combinations which do not comply with the minimum interaxle spacing requirements, but which comply with all other dimensional limits, will be subject to a reduction in allowable Gross Weight Limit of 1000 kg for each 0.5 metre shortfall in required interaxle spacing.

⁶ The minimum interaxle spacing requirements must always be met by tractors.

Table A - Maximum Semitrailer Wheelbase for Tractor Wheelbase >6.2 metres

Tractor Wheelbase	Maximum Semitrailer Wheelbase
6.3 m	≤12.47 m
6.4 m	≤12.40 m
6.5 m	≤12.33 m
6.6 m	≤12.27 m
6.7 m	≤12.20 m
6.8 m	≤12.13 m
6.9 m	≤12.07 m
7.0 m	≤12.00 m
7.1 m	≤11.93 m
7.2 m	≤11.87 m
> 7.2 m	Not permitted

(c) Axle Weight Limits

Axle Type	Application	Spread Range	Weight Limit
1. Steering	Straight Truck	N/A	8000 kg*
	Intercity Bus	N/A	7250 kg*
	Tractor	N/A	5500 kg*
2. Tandem Steering Axle**	Straight Truck	1.2 m to 2.2 m	16 000 kg
3. Single (other than steering axle)	Single Tires (<445 mm)	N/A	6000 kg
	Single Tires (≥445 mm)	N/A	7700 kg
	Dual Tires	N/A	9100 kg
4. Tandem Axle (including tandem equivalent axles)	Truck, Tractor or Trailer -Dual Tires	less than 1.2 m 1.2 m to 1.85 m	9100 kg 18 000 kg
	Truck, Tractor or Trailer -Single Tires (width ≥ 445 mm)	less than 1.2 m 1.2 m to 1.85 m	7700 kg 15 400 kg
5. Tridem Axle (including tridem equivalent axles)	Trailers - Dual Tires	less than 2.4 m	18 000 kg
		2.4 m to less than 3.0 m	21 000 kg
		3.0 m to less than 3.6 m	24 000 kg
		3.6 m to 3.7 m	26 000 kg
	Trailers - Single Tires width ≥ 445 mm)	less than 2.4 m	15 400 kg
		2.4 m to less than 3.0 m	21 000 kg
		3.0 m to less than 3.6 m	23 000 kg
		3.6 m to 3.7 m	23 100 kg
6. Triaxle Axle (model year 2003 and newer)	Trailers	3.0 m to less than 3.6 m	18 000 kg
		3.6 m to less than 4.2 m	18 000 kg
		4.2 m to 4.8 m	18 000 kg

* Steering axle loads can be as high as 9100 kg provided the load carrying capacity of the axles, tires, and all other components is not exceeded, and the tire loading does not exceed 10 kg per mm of tire width. However, no increase in the specified Gross Vehicle Weight for the configuration will be permitted with higher steering axle loads.

** Both axles in a tandem steering axle must be actively controlled by the driver; passive or self-steering axles are not permitted.

(d) Other Weight Related Limits

<p>Axle Groups - Load Equalization</p>	<p>Max 1000 kg difference between adjacent axles in tandem, tandem equivalent, tridem and tridem equivalent axle groups</p>
<p>Tire Loading - per mm of tire width - per tire: width < 445 mm - per tire: width 445 mm and greater</p>	<p>Max 10 kg per mm Max 3000 kg* Max 3850 kg*</p>

* excluding steering axles

(e) Weight Related Tolerances

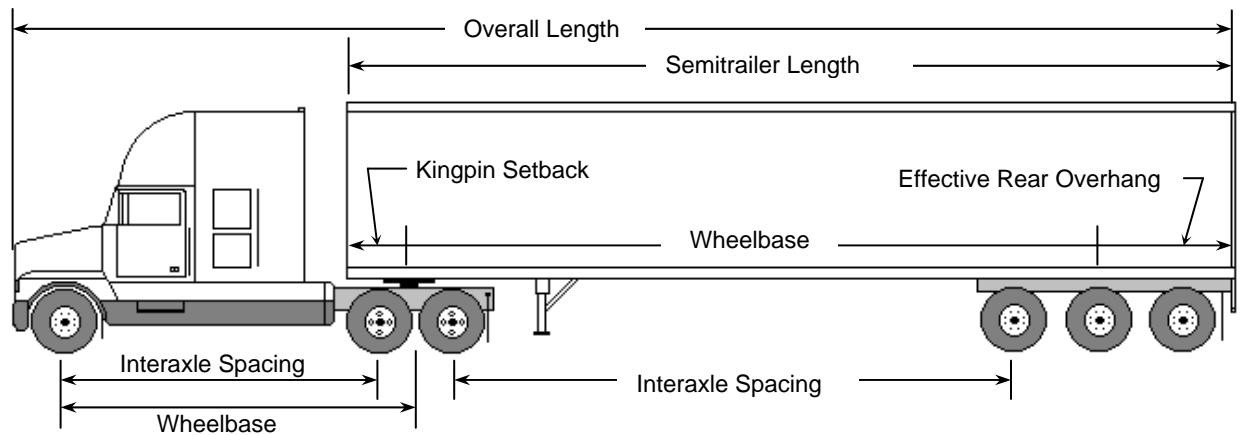
There are no automatically applied tolerances associated with axle or vehicle weight limits, published or not.

105/14 s8

Schedule B

Summary of Vehicle Weights and Dimensions
Limits by Configuration

Category 1: Tractor Semitrailer
Part 1 - Dimension Limits



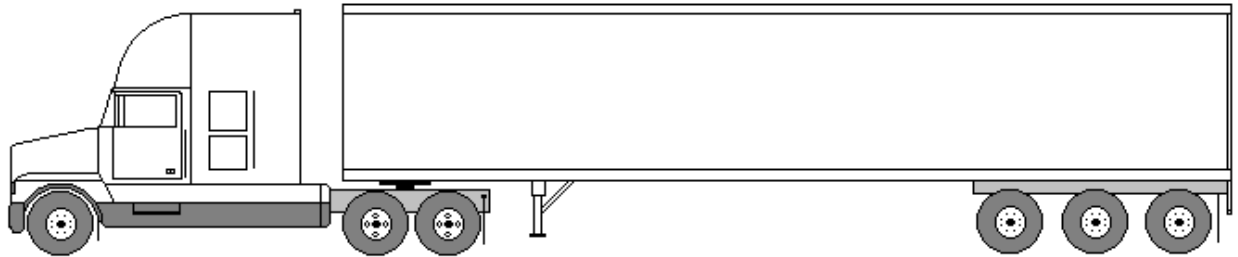
DIMENSION	LIMIT
Overall Length	Maximum 23 m
Overall Width	Maximum 2.6 m
Overall Height	Maximum 4.15 m
Tractor:	
Wheelbase	Maximum 6.2 m ⁷
Tandem Axle Spread	Minimum 1.2 m/Maximum 1.85 m
Semitrailer	
Length	Maximum 16.2 m
Wheelbase	Minimum 6.25 m/Maximum 12.5 m
Kingpin Setback	Maximum 2.0 m radius
Effective Rear Overhang	Maximum 35% of wheelbase

⁷ The tractor wheelbase can be up to 7.2 m in a tractor-semitrailer configuration, provided the wheelbase of the semitrailer is reduced in accordance with Table A.

DIMENSION	LIMIT
Tandem Axle Spread	Minimum 1.2 m/Maximum 1.85 m
Tridem Axle Spread	Minimum 2.4 m/Maximum 3.7 m
Track Width: With dual tires	Minimum 2.5 m/Maximum 2.6 m
With single tires ⁸	Minimum 2.45 m/Maximum 2.6 m
Interaxle Spacings	
Single Axle to Single, Tandem or Tridem Axle	Minimum 3.0 m
Tandem Axle to Tandem Axle	Minimum 5.0 m
Tandem Axle to Tridem Axle	Minimum 5.5 m

⁸ The minimum track width for trailers fitted with single tires and manufactured prior to 2010 is 2.3 metres.

Category 1: Tractor Semitrailer
Part 2 - Weight Limits



Max 5500 kg*

Single Axle - Max 9100 kg
 Tandem Axle - Max 18 000 kg

Single Axle - Max 9100 kg
 Tandem Axle - Max 18 000 kg
 Tridem Axle - Spread:
 2.4 m to < 3.0 m - Max 21 000 kg
 3.0 m to < 3.6 m - Max 24 000 kg
 3.6 m to 3.7 m - Max 26 000 kg

WEIGHT^{9 10}	LIMIT
Axle Weights:	
Steering Axle	Maximum 5500 kg*
Single Axle (dual tires)	Maximum 9100 kg
Tandem Axle:	
Axle Spread 1.2 m to 1.85 m	Maximum 18 000 kg
Tridem Axle:	
Axle Spread 2.4 m - less than 3.0 m	Maximum 21 000 kg
Axle Spread 3.0 m - less than 3.6 m	Maximum 24 000 kg
Axle Spread 3.6 m - 3.7 m	Maximum 26 000 kg
Gross Vehicle Weight Limits	
Three Axles	Maximum 23 700 kg
Four Axles	Maximum 32 600 kg

⁹ When an axle, other than a steering axle, is fitted with two single tires, each of which has a width of 445 mm or greater, the weight cannot exceed 7700 kg for single axles, 15,400 kg for tandem axle groups, 21,000 kg for tridem axle groups with spread from 2.4 m to <3.0 m, 23,000 kg for tridem axle groups with spread from 3.0 m to <3.6 m and 23,100 kg for tridem axle groups with spread from 3.6 m to 3.7 m.

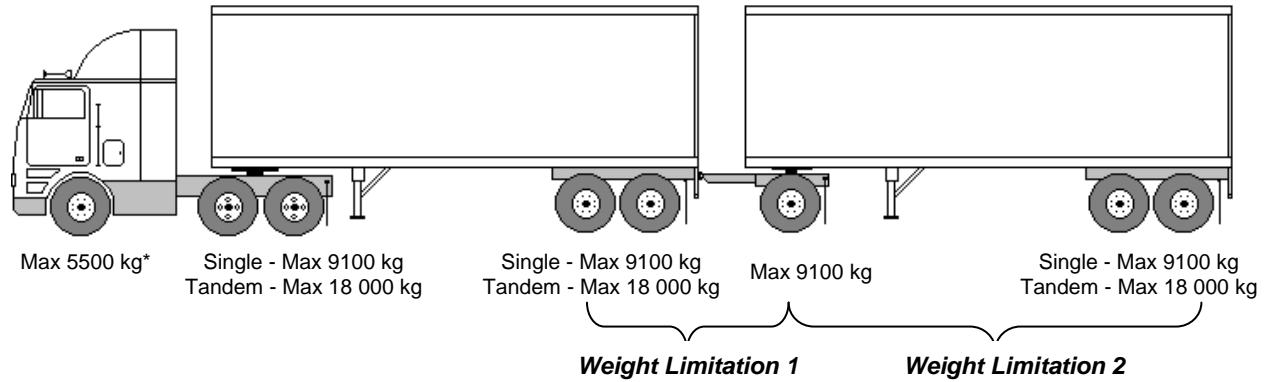
¹⁰ An additional allowance of up to 225 kg will be provided on the combined weight of the tractor steering axle and drive axle group of a vehicle in *Category 1: Tractor-Semitrailer* if the tractor is equipped with a functioning Auxiliary Power Unit. In such cases the Gross Vehicle Weight limit for the combination will also increase up to a maximum of 225 kg to accommodate the increased weight of the tractor.

WEIGHT^{9 10}	LIMIT
Five Axles	Maximum 41 500 kg
Six Axles - with 2.4 to < 3.0 m spread tridem	Maximum 44 500 kg
with 3.0 m to < 3.6 m spread tridem	Maximum 47 500 kg
with 3.6 to 3.7 m spread tridem	Maximum 49 500 kg

* The steering axle weight can be as high as 9100 kg provided the load carrying capacity of the axle, tires and all other components is not exceeded, and the tire loading does not exceed 10 kg per mm of width. However, the Gross Vehicle Weight limit will be based on a steering weight of 5500 kg.

DIMENSION	LIMIT
Single Axle to Single or Tandem Axle	Minimum 3.0 m
Tandem Axle to Tandem Axle	Minimum 5.0 m
Dimension "A" (from the centre of last axle on the lead semitrailer to the centre of the first axle on the converter dolly or second trailer)	Not controlled

Category 2: A Train Double
Part 2 - Weight Limits



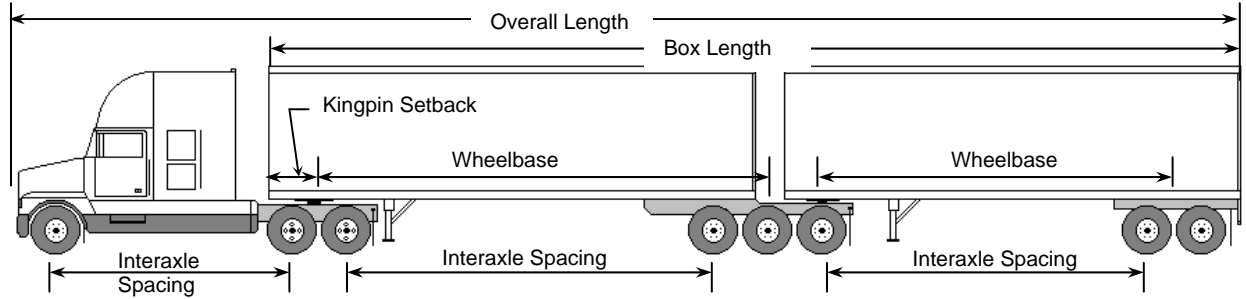
WEIGHT ¹²	LIMIT
Axle Weight Limits:	
Steering Axle	Maximum 5500 kg*
Single Axle (dual tires)	Maximum 9100 kg
Tandem Axle:	
Axle Spread 1.2 m to 1.85 m	Maximum 18 000 kg
Weight Limitation 1: Sum of Axle Weights of Lead Semitrailer Plus Weight of Converter Dolly Axle	If Dimension "A" is less than 3 metres, the weight of the axle(s) on the lead semitrailer plus the weight of the converter dolly axle(s) is limited to a maximum of 18,000 kg for a two axle group or a maximum of 24,000 kg for a three axle group.
Weight Limitation 2: Sum of Axle Weights of Full Trailer or Second Semitrailer	The weight of the second trailer must not exceed the weight of the tractor drive axle(s) plus the weight of the axle(s) on the first semitrailer.
Gross Vehicle Weight Limits:	
Five Axles	Maximum 41 900 kg
Six Axles	Maximum 50 800 kg
Seven Axles	Maximum 53 500 kg

¹² When an axle, other than a steering axle, is fitted with two single tires, each of which has a width of 445 mm or greater, the weight cannot exceed 7700 kg for single axles and 15,400 kg for tandem axle groups.

WEIGHT¹²	LIMIT
Eight Axles	Maximum 53 500 kg

*The steering axle weight can be as high as 9100 kg provided the load carrying capacity of the axle, tires, and all other components is not exceeded, and the tire loading does not exceed 10 kg per mm of width. However, the Gross Vehicle Weight limit will be based on a steering axle weight of 5500 kg.

Category 3: B Train Double
Part 1 - Dimension Limits

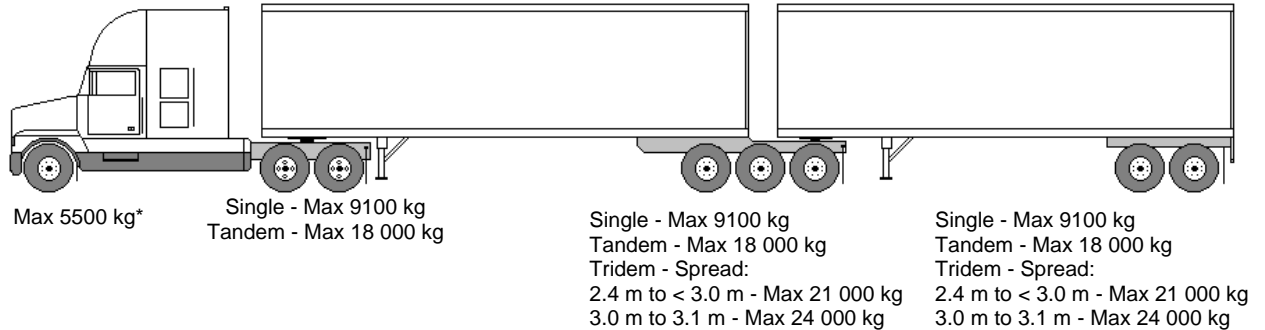


DIMENSION	LIMIT
Overall Length	Maximum 25 m
Overall Width	Maximum 2.6 m
Overall Height	Maximum 4.15 m
Box Length	Maximum 20.0 m
Tractor:	
Wheelbase	Maximum 6.2 m
Tandem Axle Spread	Minimum 1.2 m/Maximum 1.85 m
Lead Semitrailer	
Wheelbase	Minimum 6.25 m
Kingpin Setback	Maximum 2.0 m radius
Tandem Axle Spread	Minimum 1.2 m/Maximum 1.85 m
Tridem Axle Spread	Minimum 2.4 m/Maximum 3.1 m
Track Width: With dual tires	Minimum 2.5 m/Maximum 2.6 m
With single tires ¹³	Minimum 2.45 m/Maximum 2.6 m
Fifth Wheel Position	No more than 0.3 m behind the centre of the rearmost axle on the semitrailer
Second Semitrailer	
Wheelbase	Minimum 6.25 m
Tandem Axle Spread	Minimum 1.2 m/Maximum 1.85 m
Tridem Axle Spread	Minimum 2.4 m/Maximum 3.1 m
Track Width: With dual tires	Minimum 2.5 m/Maximum 2.6 m

¹³ The minimum track width for trailers fitted with single tires and manufactured prior to 2010 is 2.3 metres.

DIMENSION	LIMIT
With single tires ¹³	Minimum 2.45 m/Maximum 2.6 m
Sum of Semitrailer Wheelbases	Maximum 17.0 m
Interaxle Spacings	
Single Axle to Single or Tandem Axle	Minimum 3.0 m
Tandem Axle to Tandem Axle	Minimum 5.0 m
Tandem Axle to Tridem Axle	Minimum 5.5 m

Category 3: B Train Double
Part 2 - Weight Limits



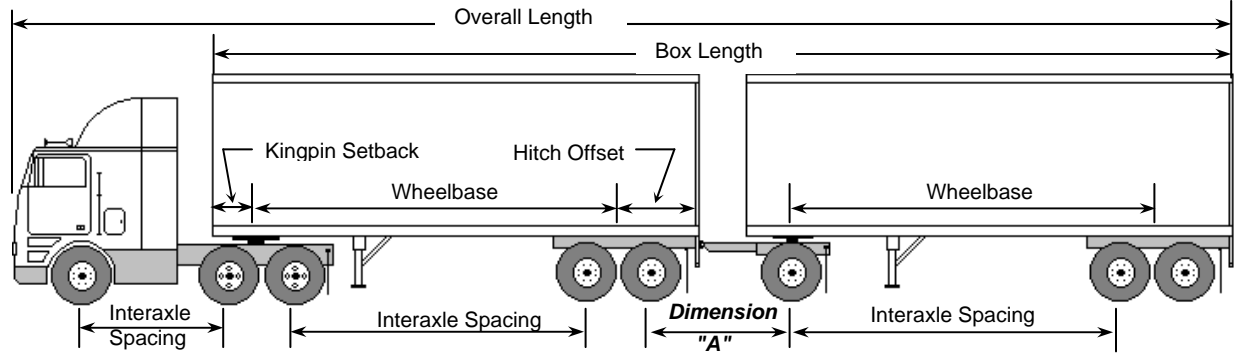
WEIGHT ¹⁴	LIMIT
Axle Weight Limits:	
Steering Axle	Maximum 5500 kg*
Single Axle (dual tires)	Maximum 9100 kg
Tandem Axle:	
Axle Spread 1.2 m to 1.85 m	Maximum 18 000 kg
Tridem Axle:	
Axle Spread 2.4 m to less than 3.0 m	Maximum 21 000 kg
Axle Spread 3.0 m to 3.1 m	Maximum 24 000 kg
Gross Vehicle Weight Limits:	
Six Axles	Maximum 50 600 kg
Seven Axles	Maximum 59 500 kg
Eight Axles	Maximum 62 500 kg
Nine Axles	Maximum 62 500 kg

* The steering axle weight can be as high as 9100 kg provided the load carrying capacity of the axle, tires, and all other components is not exceeded, and the tire loading does not exceed 10 kg per mm of width. However, the Gross Vehicle Weight limit will be based on a steering axle weight of 5500 kg.

¹⁴ When an axle, other than a steering axle, is fitted with two single tires, each of which has a width of 445 mm or greater, the weight cannot exceed 7700 kg for single axles, 15,400 kg for tandem axle groups, 21,000 kg for tridem axle groups with spread from 2.4 m to <3.0 m and 23,000 kg for tridem axle groups with spread from 3.0 m to 3.1 m.

Category 4: C Train Double

Part 1 - Dimension Limits

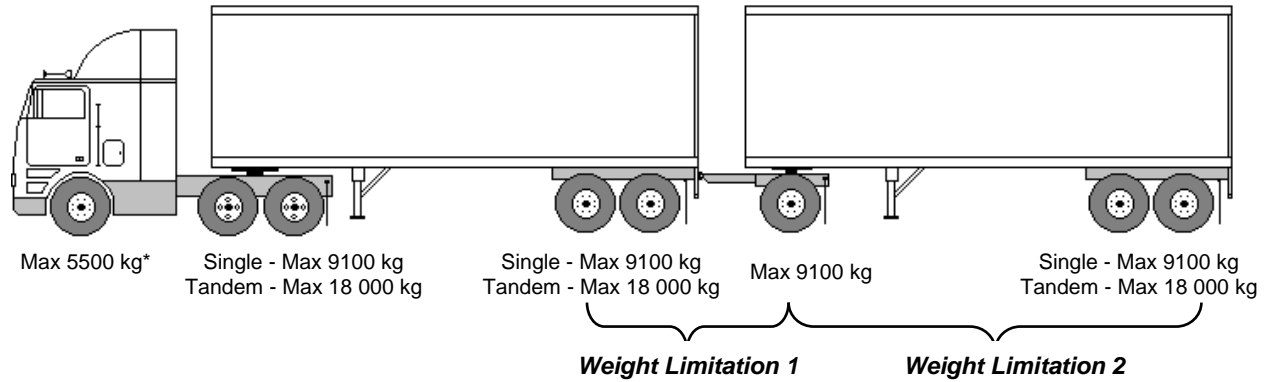


DIMENSION	LIMIT
Overall Length	Maximum 25 m
Overall Width	Maximum 2.6 m
Overall Height	Maximum 4.15 m
Box Length	Maximum 20.0 m
Tractor:	
Wheelbase	Maximum 6.2 m
Tandem Axle Spread	Minimum 1.2 m/Maximum 1.85 m
Lead Semitrailer	
Wheelbase	Minimum 6.25 m
Kingpin Setback	Maximum 2.0 m radius
Tandem Axle Spread	Minimum 1.2 m/Maximum 1.85 m
Hitch Offset	Maximum 1.8 m
Track Width: With dual tires	Minimum 2.5 m/Maximum 2.6 m
With single tires ¹⁵	Minimum 2.45 m/Maximum 2.6 m
Second Semitrailer or Full Trailer	
Wheelbase	Minimum 6.25 m
Tandem Axle Spread	Minimum 1.2 m/Maximum 1.85 m
Track Width: With dual tires	Minimum 2.5 m/Maximum 2.6 m
With single tires ¹⁵	Minimum 2.45 m/Maximum 2.6 m
C Dolly Drawbar Length	Maximum 2.0 m

¹⁵ The minimum track width for trailers fitted with single tires and manufactured prior to 2010 is 2.3 metres.

DIMENSION	LIMIT
Interaxle Spacings	
Single Axle to Single or Tandem Axle	Minimum 3.0 m
Tandem Axle to Tandem Axle	Minimum 5.0 m
Dimension "A" (from the centre of last axle on the lead semitrailer to centre of the first axle on the converter dolly or second trailer)	Not controlled

Category 4: C Train Double
Part 2 - Weight Limits

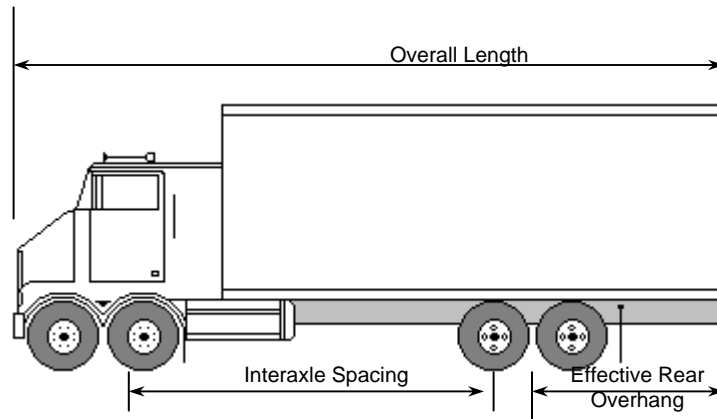
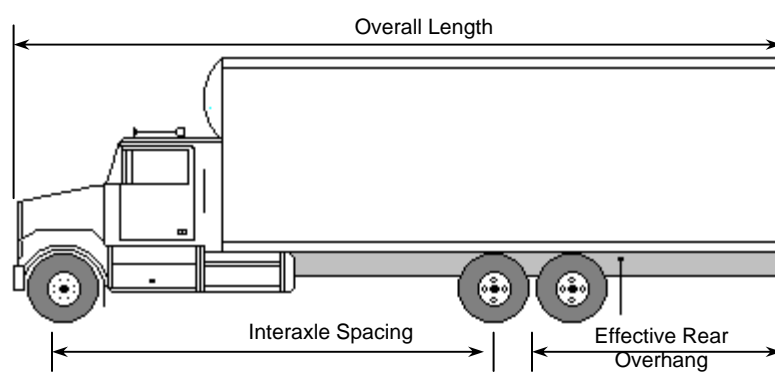


WEIGHT ¹⁶	LIMIT
Axle Weight Limits:	
Steering Axle	Maximum 5500 kg*
Single Axle (dual tires)	Maximum 9100 kg
Tandem Axle:	
Axle Spread 1.2 m to 1.85 m	Maximum 18 000 kg
Weight Limitation 1: Sum of Axle Weights of Lead Semitrailer Plus Weight of Converter Dolly Axle	If Dimension "A" is less than 3 metres, the weight of the axle(s) on the lead semitrailer plus the weight of the converter dolly axle(s) is limited to a maximum of 18,000 kg for a two axle group or a maximum of 24,000 kg for a three axle group.
Weight Limitation 2: Sum of Axle Weights of Full Trailer or Second Semitrailer	The weight of the second trailer must not exceed the weight of the tractor drive axle(s) plus the weight of the axle(s) on the first semitrailer.
Gross Vehicle Weight Limits:	
Five Axles	Maximum 41 900 kg
Six Axles	Maximum 50 800 kg
Seven Axles	Maximum 55 600 kg
Eight Axles	Maximum 58 500 kg

¹⁶ When an axle, other than a steering axle, is fitted with two single tires, each of which has a width of 445 mm or greater, the weight cannot exceed 7700 kg for single axles and 15,400 kg for tandem axle groups.

- * The steering axle weight can be as high as 9100 kg provided the load carrying capacity of the axle, tires, and all other components is not exceeded, and the tire loading does not exceed 10 kg per mm of width. However, the Gross Vehicle Weight limit will be based on a steering axle weight of 5500 kg.

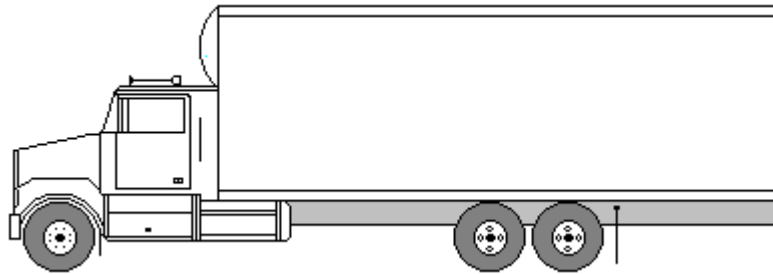
Category 5: Straight Truck
Part 1 - Dimension Limits



DIMENSION	LIMIT
Overall Length	Maximum 12.5 m
Overall Width	Maximum 2.6 m
Overall Height	Maximum 4.15 m
Box Length	Not Controlled
Wheelbase	Not controlled
Tandem Steering Axle Spread	Minimum 1.2 m/Maximum 2.2 m
Tandem Axle Spread	Minimum 1.2 m/Maximum 1.85 m
Effective Rear Overhang	Maximum 4.0 m

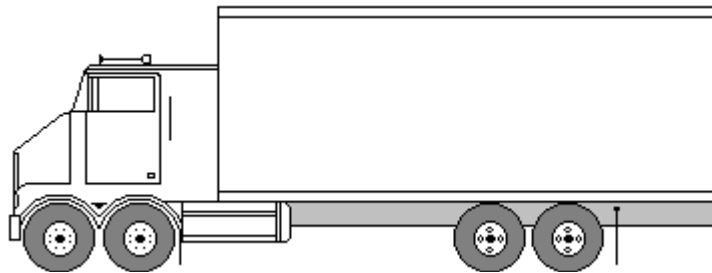
DIMENSION	LIMIT
Interaxle Spacings	
Single Axle to Single or Tandem Axle	Minimum 3.0 m
Tandem Steering Axle to Tandem Axle	Minimum 3.65 m

Category 5: Straight Truck
Part 2 - Weight Limits



Max 8000 kg*

Single - Max 9100 kg
 Tandem - Max 18 000 kg



Tandem Steering Axle
 Max 16 000 kg

Tandem Drive Axle
 Max 18 000 kg

WEIGHT ¹⁷	LIMIT
Axle Weights:	
Steering Axle - single axle, single tires	Maximum 8000 kg*
- tandem axle, single tires	Maximum 16 000 kg
Single Axle (dual tires)	Maximum 9100 kg
Tandem Drive Axle:	
Axle Spread 1.2 m to 1.85 m	Maximum 18 000 kg
Gross Vehicle Weight Limits:	
Two Axles	Maximum 17 100 kg

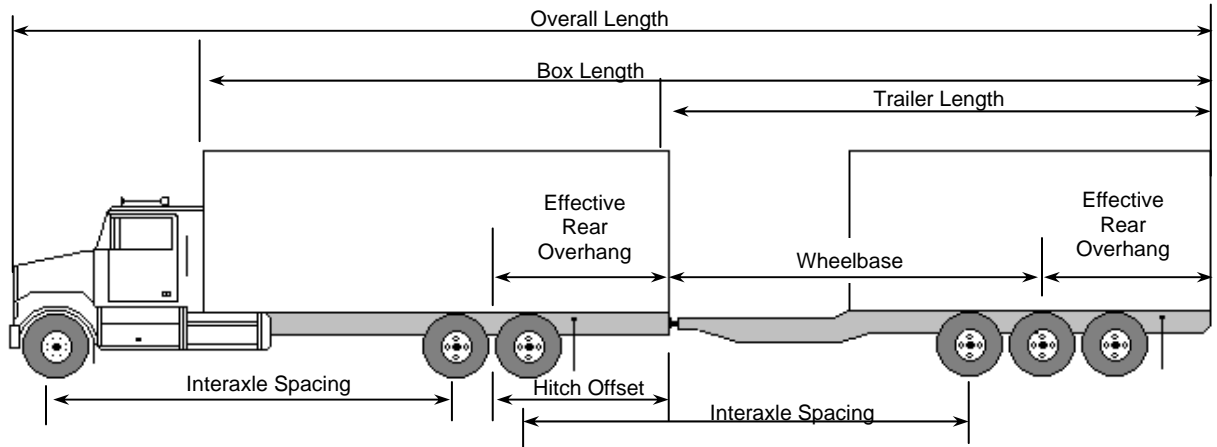
¹⁷ When an axle, other than a steering axle, is fitted with two single tires, each of which has a width of 445 mm or greater, the weight cannot exceed 7700 kg for single axles and 15,400 kg for tandem axle groups.

WEIGHT¹⁷	LIMIT
Three Axles	Maximum 26 000 kg
Four Axles	Maximum 34 000 kg

* The steering axle weight can be as high as 9100 kg provided the load carrying capacity of the axle, tires, and all other components is not exceeded, and the tire loading does not exceed 10 kg per mm of width. However, the Gross Vehicle Weight limit will be based on a steering axle weight of 8000 kg for single steering axle straight trucks.

Category 6: Truck - Pony Trailer Combination

Part 1 - Dimension Limits



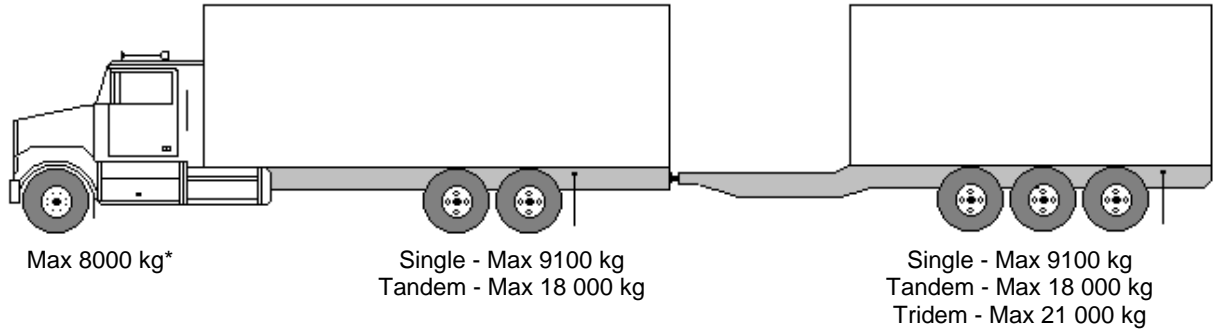
DIMENSION	LIMIT
Overall Length	Maximum 23 m
Overall Width	Maximum 2.6 m
Overall Height	Maximum 4.15 m
Box Length	Maximum 20 m
Truck:	
Length	Maximum 12.5 m
Wheelbase	Not controlled
Tandem Axle Spread	Minimum 1.2 m/Maximum 1.85 m
Effective Rear Overhang	Maximum 4.0 m
Hitch Offset	Maximum 1.8 m
Pony Trailer*	
Length	Maximum 12.5 m
Wheelbase	Minimum 6.25 m
Tandem Axle Spread	Minimum 1.2 m/Maximum 1.85 m
Tridem Axle Spread	Minimum 2.4 m/Maximum 3.7 m
Track Width: With dual tires	Minimum 2.5 m/Maximum 2.6 m
With single tires ¹⁸	Minimum 2.45 m/Maximum 2.6 m

¹⁸ The minimum track width for trailers fitted with single tires and manufactured prior to 2010 is 2.3 metres.

DIMENSION	LIMIT
Effective Rear Overhang	Maximum 4.0 m
Interaxle Spacings	
Single Axle to Single, Tandem or Tridem Axle	Minimum 3.0 m
Tandem Axle to Tandem Axle	Minimum 5.0 m
Tandem Axle to Tridem Axle	Minimum 5.5 m

* Dimension limits not applicable to pony trailers with Gross Vehicle Weight Rating of less than 10 000 kg.

Category 6: Truck - Pony Trailer Combination
Part 2 - Weight Limits

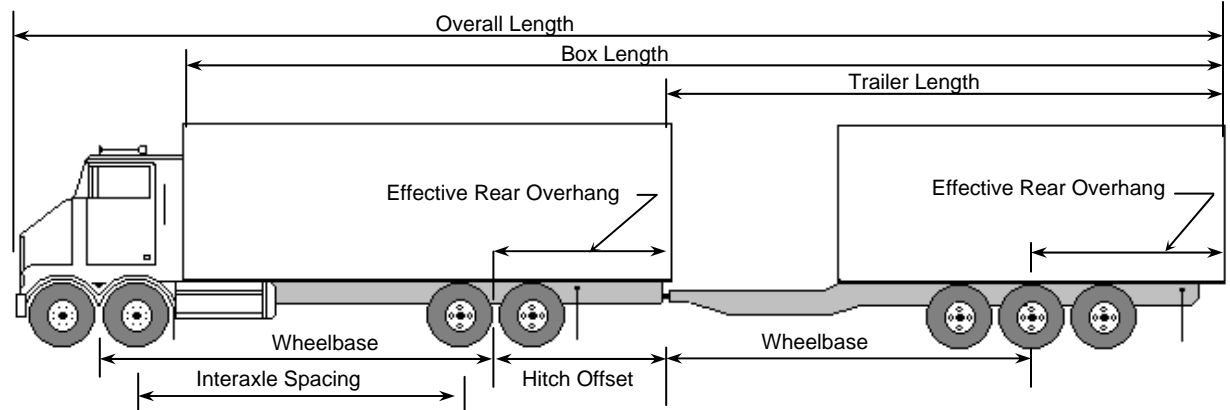


WEIGHTS ¹⁹	LIMITS
Axle Weight Limits:	
Steering Axle	Maximum 8000 kg*
Single Axle (dual tires)	Maximum 9100 kg
Tandem Axle:	
Axle Spread 1.2 m to 1.85 m	Maximum 18 000 kg
Tridem Axle:	
Axle Spread 2.4 m - 3.7 m	Maximum 21 000 kg
Gross Vehicle Weight Limits:	
Three Axles	Maximum 26 200 kg
Four Axles	Maximum 35 100 kg
Five Axles	Maximum 44 000 kg
Six Axles	Maximum 47 000 kg

* The steering axle weight can be as high as 9100 kg provided the load carrying capacity of the axle, tires, and all other components is not exceeded, and the tire loading does not exceed 10 kg per mm of width. However, the Gross Vehicle Weight limit will be based on a steering axle weight of 8000 kg.

¹⁹ When an axle, other than a steering axle, is fitted with two single tires, each of which has a width of 445 mm or greater, the weight cannot exceed 7700 kg for single axles, 15,400 kg for tandem axle groups and 21,000 kg for tridem axle groups.

Category 7: Tandem Steering Axle Truck - Pony Trailer Combination
Part 1 - Dimension Limits



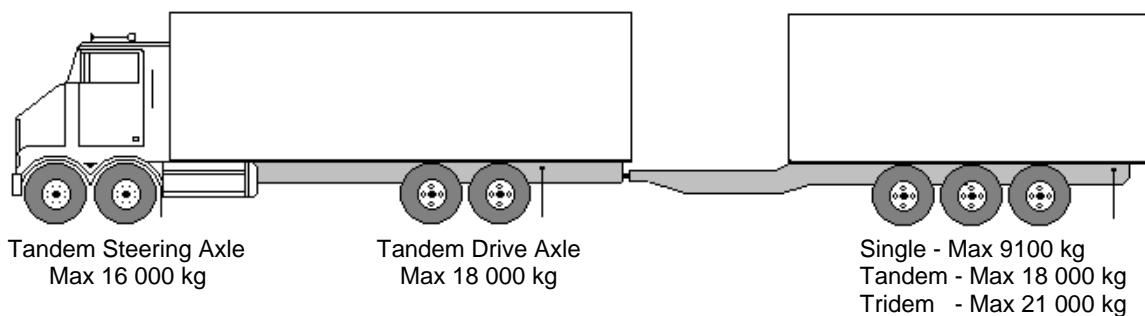
DIMENSION	LIMIT
Overall Length	Maximum 23 m
Overall Width	Maximum 2.6 m
Overall Height	Maximum 4.15 m
Box Length	Maximum 20 m
Truck:	
Length	Maximum 12.5 m
Wheelbase	Not controlled
Tandem Steering Axle Spread	Minimum 1.2 m/Maximum 2.2 m
Tandem Drive Axle Spread	Minimum 1.2 m/Maximum 1.85 m
Effective Rear Overhang	Maximum 4.0 m
Hitch Offset	Maximum 1.8 m
Pony Trailer*	
Length	Maximum 12.5 m
Wheelbase	Minimum 6.25 m
Tandem Axle Spread	Minimum 1.2 m/Maximum 1.85 m
Tridem Axle Spread	Minimum 2.4 m/Maximum 3.7 m
Track Width: With dual tires	Minimum 2.5 m/Maximum 2.6 m
With single tires ²⁰	Minimum 2.45 m/Maximum 2.6 m
Effective Rear Overhang	Maximum 4.0 m

²⁰ The minimum track width for trailers fitted with single tires and manufactured prior to 2010 is 2.3 metres.

DIMENSION	LIMIT
Interaxle Spacings	
Tandem Steering Axle to Tandem Drive Axle	Minimum 3.65 m
Single Axle to Single, Tandem or Tridem Axle	Minimum 3.0 m
Tandem Axle to Tandem Axle	Minimum 5.0 m
Tandem Axle to Tridem Axle	Minimum 5.5 m

* Limits not applicable to pony trailers with Gross Vehicle Weight Rating of less than 10 000 kg.

Category 7: Tandem Steering Axle Truck - Pony Trailer Combination
Part 2 - Weight Limits

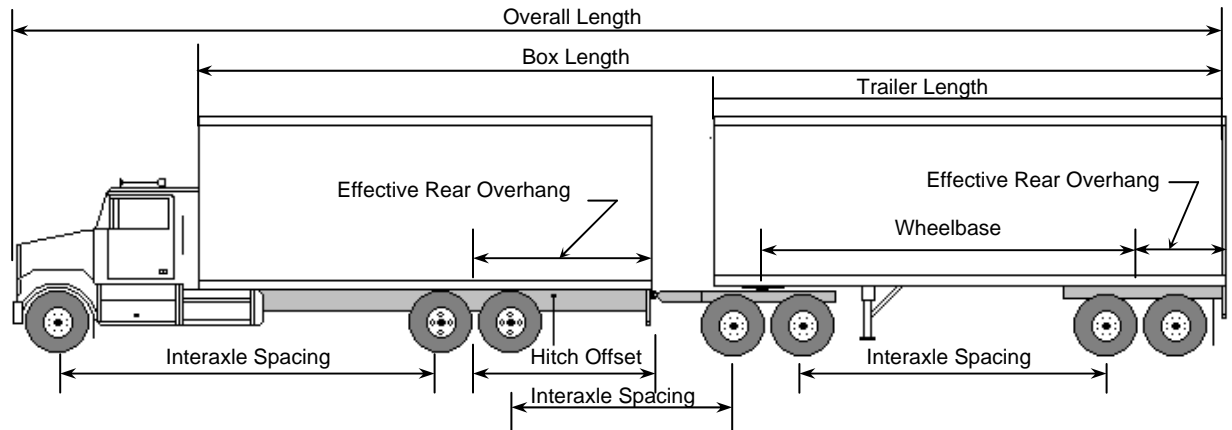


WEIGHTS ²¹	LIMITS
Axle Weight Limits:	
Truck:	
Tandem Steering Axle: Spread 1.2 m to 2.2 m	Maximum 16 000 kg
Tandem Drive Axle: Spread 1.2 m to 1.85 m	Maximum 18 000 kg
Trailer:	
Single Axle (dual tires)	Maximum 9100 kg
Tandem Axle: Spread 1.2 m to 1.85 m	Maximum 18 000 kg
Tridem Axle: Spread 2.4 m - 3.7 m	Maximum 21 000 kg
Gross Vehicle Weight Limits:	
Five Axles	Maximum 43 100 kg
Six Axles	Maximum 50 000 kg
Seven Axles	Maximum 53 500 kg

²¹ When an axle, other than a steering axle, is fitted with two single tires, each of which has a width of 445 mm or greater, the weight cannot exceed 7700 kg for single axles, 15,400 kg for tandem axle groups and 21,000 kg for tridem axle groups.

Category 8: Truck - Full Trailer Combination

Part 1 - Dimension Limits

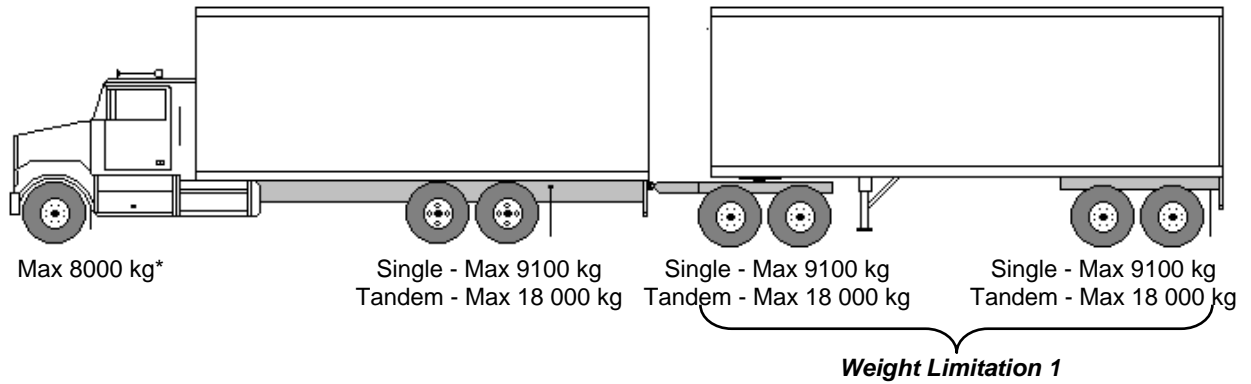


DIMENSION	LIMIT
Overall Length	Maximum 23 m
Overall Width	Maximum 2.6 m
Overall Height	Maximum 4.15 m
Box Length	Maximum 20 m
Truck:	
Length	Maximum 12.5 m
Wheelbase	Not controlled
Tandem Axle Spread	Minimum 1.2 m/Maximum 1.85 m
Effective Rear Overhang	Maximum 4.0 m
Hitch Offset	Maximum 1.8 m
Full Trailer	
Length	Maximum 12.5 m
Wheelbase	Minimum 6.25 m
Tandem Axle Spread	Minimum 1.2 m/Maximum 1.85 m
Track Width: With dual tires	Minimum 2.5 m/Maximum 2.6 m
With single tires ²²	Minimum 2.45 m/Maximum 2.6 m
Effective Rear Overhang	Maximum 35% of wheelbase

²² The minimum track width for trailers fitted with single tires and manufactured prior to 2010 is 2.3 metres.

DIMENSION	LIMIT
Converter Dolly	The use of a double drawbar or C Dolly is not permitted on this combination
Interaxle Spacings	
Single Axle to Single or Tandem Axle	Minimum 3.0 m
Tandem Axle to Tandem Axle	Minimum 5.0 m

Category 8: Truck - Full Trailer Combination
Part 2 - Weight Limits

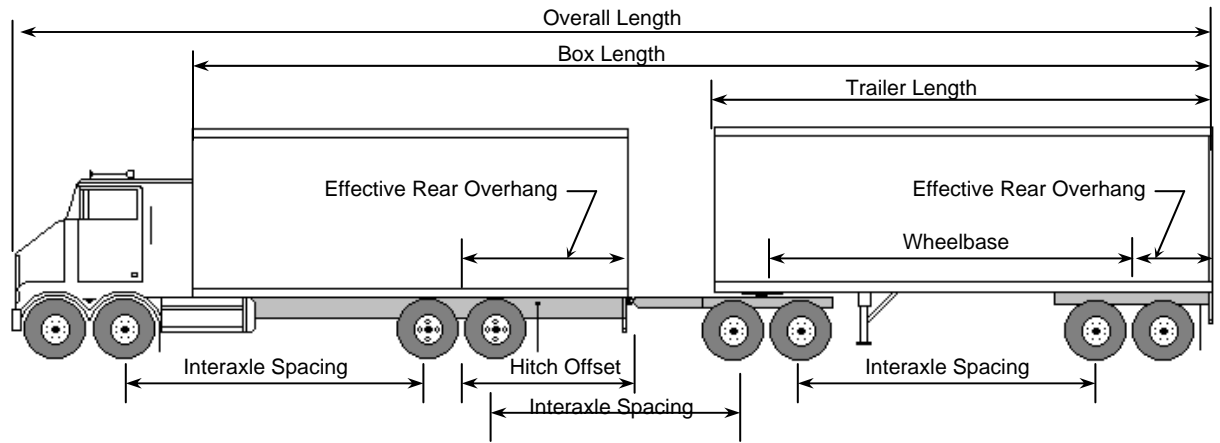


WEIGHT ²³	LIMIT
Axle Weight Limits:	
Steering Axle	Maximum 8000 kg*
Single Axle (dual tires)	Maximum 9100 kg
Tandem Axle:	
Axle Spread 1.2 m to 1.85 m	Maximum 18 000 kg
Weight Limitation 1:	
Sum of Axle Weights of Full Trailer	
4 Axle Truck-Trailer Combination	Maximum 17 000 kg
5 Axle Truck-Trailer Combination	Maximum 17 000 kg
6 Axle Truck-Trailer Combination	Maximum 24 000 kg
7 Axle Truck-Trailer Combination	Maximum 31 000 kg
Gross Vehicle Weight Limits:	
Four Axles	Maximum 34 100 kg
Five Axles	Maximum 43 000 kg
Six Axles	Maximum 50 000 kg
Seven Axles	Maximum 53 500 kg

²³ When an axle, other than a steering axle, is fitted with two single tires, each of which has a width of 445 mm or greater, the weight cannot exceed 7700 kg for single axles and 15,400 kg for tandem axle groups.

- * The steering axle weight can be as high as 9100 kg provided the load carrying capacity of the axle, tires, and all other components is not exceeded, and the tire loading does not exceed 10 kg per mm of width. However, the Gross Vehicle Weight limit will be based on a steering axle weight of 8000 kg.

Category 9: Tandem Steering Axle Truck - Full Trailer Combination
Part 1 - Dimension Limits

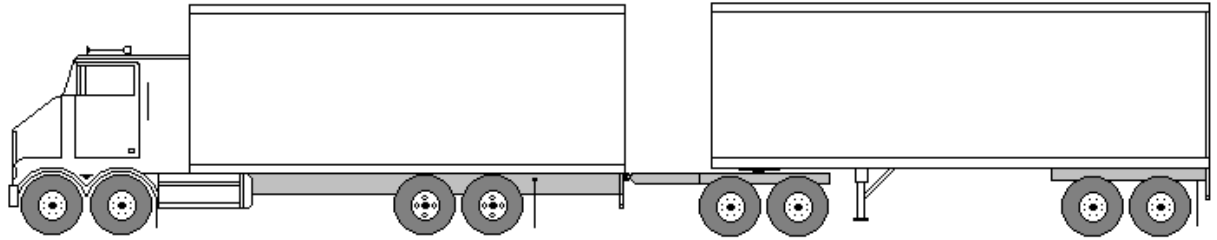


DIMENSION	LIMIT
Overall Length	Maximum 23 m
Overall Width	Maximum 2.6 m
Overall Height	Maximum 4.15 m
Box Length	Maximum 20 m
Truck:	
Length	Maximum 12.5 m
Wheelbase	Not controlled
Tandem Steering Axle Spread	Minimum 1.2 m/Maximum 2.2 m
Tandem Drive Axle Spread	Minimum 1.2 m/Maximum 1.85 m
Effective Rear Overhang	Maximum 4.0 m
Hitch Offset	Maximum 1.8 m
Full Trailer	
Length	Maximum 12.5 m
Wheelbase	Minimum 6.25 m
Tandem Axle Spread	Minimum 1.2 m/Maximum 1.85 m
Track Width: With dual tires	Minimum 2.5 m/Maximum 2.6 m
With single tires ²⁴	Minimum 2.45 m/Maximum 2.6 m
Effective Rear Overhang	Maximum 35% of wheelbase

²⁴ The minimum track width for trailers fitted with single tires and manufactured prior to 2010 is 2.3 metres.

DIMENSION	LIMIT
Converter Dolly	The use of a double drawbar or C Dolly is not permitted on this combination
Interaxle Spacings	
Tandem Steering Axle to Tandem Drive Axle	Minimum 3.65 m
Single Axle to Single or Tandem Axle	Minimum 3.0 m
Tandem Axle to Tandem Axle	Minimum 5.0 m

Category 9: Tandem Steering Axle Truck - Full Trailer Combination
Part 2 - Weight Limits



Tandem Steering Axle
 Max 16 000 kg

Tandem Drive Axle
 Max 18 000 kg

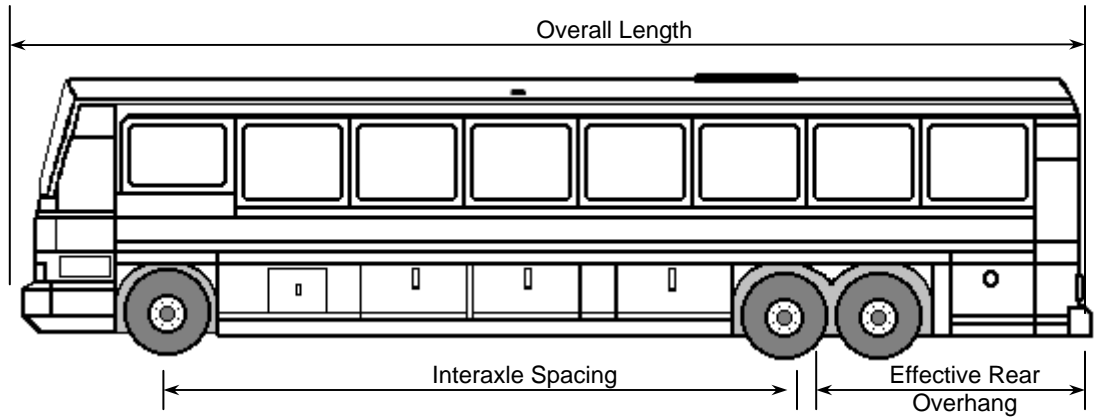
Single - Max 9100 kg
 Tandem - Max 18 000 kg

Single - Max 9100 kg
 Tandem - Max 18 000 kg

WEIGHT ²⁵	LIMIT
Axle Weight Limits:	
Tandem Steering Axle	Maximum 16 000 kg
Single Axle (dual tires)	Maximum 9100 kg
Tandem Drive Axle:	
Axle Spread 1.2 m to 1.85 m	Maximum 18 000 kg
Gross Vehicle Weight Limits:	
Six Axles	Maximum 51 000 kg
Seven Axles	Maximum 53 500 kg
Eight Axles	Maximum 53 500 kg

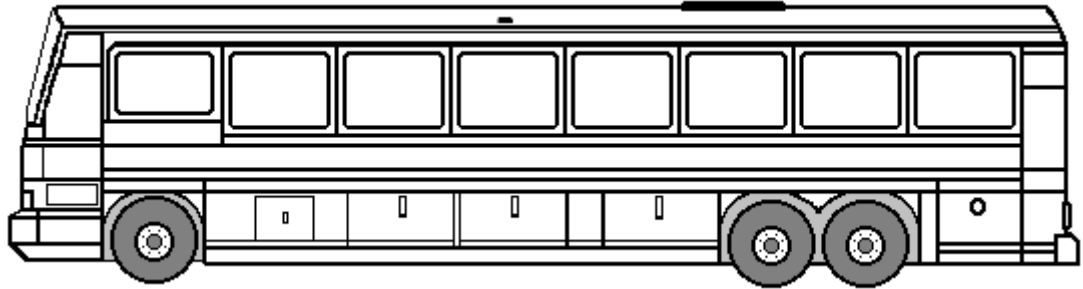
²⁵ When an axle, other than a steering axle, is fitted with two single tires, each of which has a width of 445 mm or greater, the weight cannot exceed 7700 kg for single axles and 15,400 kg for tandem axle groups.

Category 10: Intercity Bus
Part 1 - Dimension Limits



DIMENSION	LIMIT
Overall Length	Maximum 14.0 m
Overall Width	Maximum 2.6 m
Overall Height	Maximum 4.15 m
Wheelbase	Not controlled
Tandem Axle Spread	Minimum 1.2 m/Maximum 1.85 m
Effective Rear Overhang	Maximum 4.0 m
Axle Requirements: Overall length 12.5 m or less Overall length greater than 12.5 m	Not controlled Minimum 3 axles

Category 10: Intercity Bus
Part 2 - Weight Limits



Max 7250 kg*

Single Axle (single tires) - Max 6000 kg
 Single Axle (dual tires) - Max 9100 kg
 Tandem Axle - Max 18 000 kg

WEIGHT	LIMIT
Axle Weights:	
Steering Axle	Maximum 7250 kg*
Single Axle (dual tires)	Maximum 9100 kg
Single Axle (single tires)	Maximum 6000 kg
Tandem Axle (dual tires on both axles)	Maximum 18 000 kg
Gross Vehicle Weight Limits:	
Two axles (4 tires)	Maximum 13 250 kg
Two Axles (6 tires)	Maximum 16 350 kg
Three axles (8 tires)	Maximum 20 900 kg
Three axles (10 tires)	Maximum 25 250 kg

*** The steering axle weight can be as high as 9100 kg provided the load carrying capacity of the axle, tires, and all other components is not exceeded, and the tire loading does not exceed 10 kg per mm of width. However, the Gross Vehicle Weight limit will be based on a steering weight of 7250 kg.**

105/14 s8

Schedule C

Weight Knockdown Formula

Adjacent Axle Groups	Observed Spacing	GVW Reduction
Single Axle-Single Axle		
(Min 3.0 m required)	2.5-2.99 m	1000 kg
	2.0-2.49 m	2000 kg
	1.5-1.99 m	3000 kg
	1.0-1.49 m	4000 kg
Single Axle-Tandem		
(Min 3.0 m required)	2.5-2.99 m	1000 kg
	2.0-2.49 m	2000 kg
	1.5-1.99 m	3000 kg
	1.0-1.49 m	4000 kg
Single-Tridem		
(Min 3.0 m required)	2.5-2.99 m	1000 kg
	2.0-2.49 m	2000 kg
	1.5-1.99 m	3000 kg
	1.0-1.49 m	4000 kg
Tandem-Tandem		
(Min 5.0 m required)	4.5-4.99 m	1000 kg
	4.0-4.49 m	2000 kg
	3.5-3.99 m	3000 kg
	3.0-3.49 m	4000 kg
	2.5-2.99 m	5000 kg
	2.0-2.49 m	6000 kg
	1.5-1.99 m	7000 kg
	1.0-1.49 m	8000 kg
Tandem-Tridem		
(Min 5.5 m required)	5.0-5.49 m	1000 kg
	4.50-4.99 m	2000 kg
	4.0-4.49 m	3000 kg
	3.5-3.99 m	4000 kg
	3.0-3.49 m	5000 kg
	2.5-2.99 m	6000 kg
	2.0-2.49 m	7000 kg
	1.5-1.99 m	8000 kg
	1.0-1.49 m	9000 kg

Schedule D

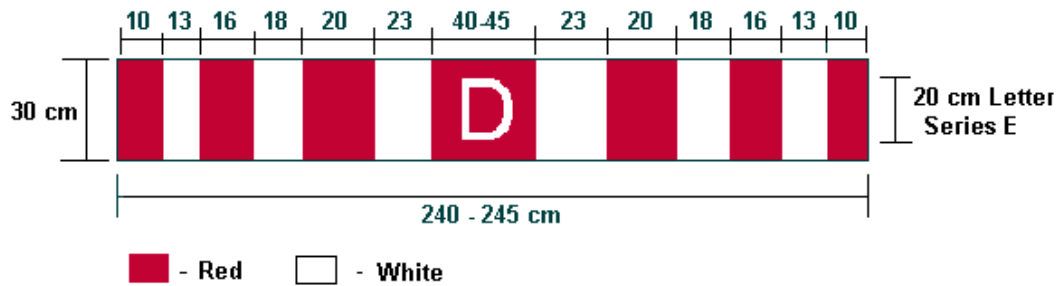
Overdimensional or "D" Signs

The "D" Sign has been adopted to identify overdimensional vehicles. Use of Wide Load, Long Load or Oversize Load signs is not permitted or recognized as suitable alternatives.

For Oversize Vehicle:

The vehicle transporting an overdimensional load must be equipped with warning "D" signs at front and rear which meet the following specifications:

Section Widths (cm)



Colour: White level II reflectance and stop sign red (# 712 3M or equivalent)

Material: The sign panel must be fabricated of retroreflective material.

For Escort Vehicle:

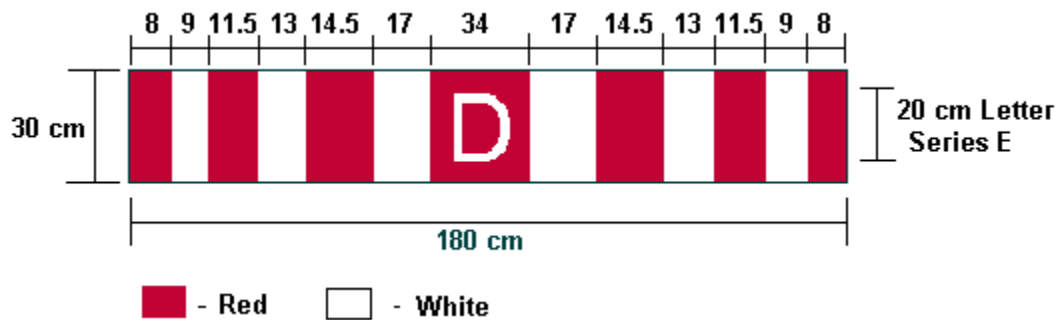
The escort vehicle must be equipped with either warning "D" signs or a lighted sign box. The sign or lighted sign box must be visible to approaching traffic:

- from the front when leading an overdimensional vehicle or load
- from the rear when following an overdimensional vehicle or load.

If warning "D" Signs are used, they must meet the following specifications:

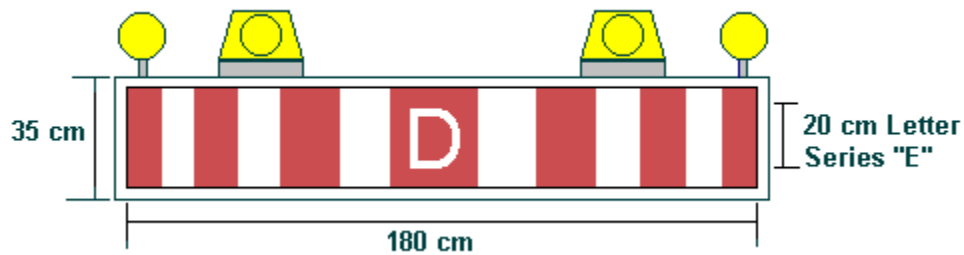
Small Sign

Section Widths (cm)



If a lighted sign box is used, it must meet the following specifications:

- the sign must be upright when in use, and clearly visible from the front and rear of the vehicle (the sign must be folded flat when not in use or not required, or must be removed from the vehicle)



Box Dimensions - the box must be 180 centimetres x 35 centimetres x 10 centimetres and constructed of mild steel material with inside and outside surfaces of baked white enamel. The box must shelter all wire connectors, switches, flashers, etc.

Illumination - A sufficient number of lamps must be mounted in the box and spaced to give even lighting of the sign background across its full width.

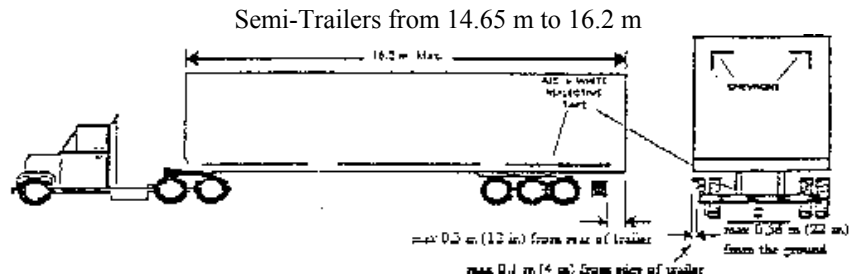
Sign Panel - the sign panel must be 3 millimetres thick, with a white plexi-glass background with red bars painted with transparent red paint. The letter "D" must be white in color and must be 20 centimetres high, Series E.

Outboard Lights - must consist of two 175-millimetre (minimum) amber lights with reflectors, rated at 12.5 volts, 3 amps and 0.50 candela with a rated life of 300 hours.

Inboard Lights - must consist of 2 standard 203-millimetre rotating amber lights, with 2 sealed beam units per lamp.

105/14 s8

Schedule E



1. Semi-trailers greater than 14.65 metres in length may not be equipped with a liftable axle.
2. Semi-trailers greater than 14.65 metres in length and manufactured after July 14, 1993 must be equipped with the following conspicuity requirements:
 - Alternating red and white reflective tape 5 cm wide along the sides and rear of the trailer.
 - As close to 1.2 m above the road as possible.
 - Must cover at least half the trailer length.
 - No more than 2/3 in one colour.
 - Alternating red and white reflective segments along the rear under ride protection.
 - White reflective chevron 30 cm long in upper corners of rear.

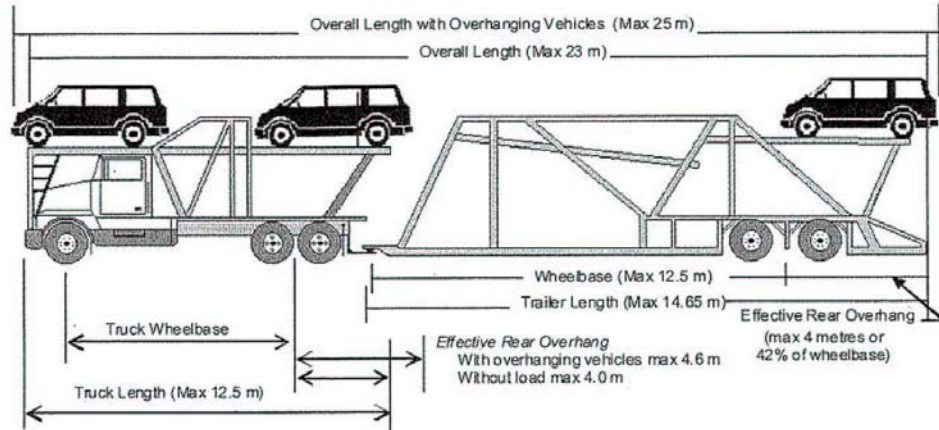
Semi-trailers greater than 14.65 metres in length and manufactured on or before July 14, 1993 must be equipped with the above conspicuity requirements by January 1, 2002.

3. Semi-trailers greater than 14.65 metres in length and built after July 14, 1993 and
 - (a) equipped with sliding axles or fixed axles with more than 0.3 m rear overhang; or
 - (b) the bottom of the rear structure of the trailer is more than 0.56 m above the ground must be equipped with rear under ride protection of adequate strength and conforming to the dimensions specified in the above diagram.
4. Semi-trailers greater than 14.65 metres in length and manufactured after October 1994 must be equipped with automatic slack adjusters.

105/14 s8

Schedule F

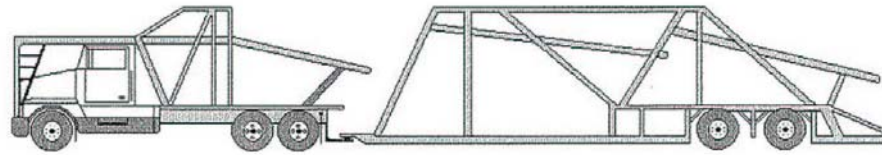
Category S1: Stinger Steer Automobile Carrier
Part 1 - Dimension Limits



DIMENSION	LIMIT
Overall Length	
- without load	Maximum 23 m
- when loaded with overhanging motor vehicles	Maximum 25 m
Overall Width	Maximum 2.6 m
Overall Height	Maximum 4.3 m
Truck:	
Overall Length	Maximum 12.5 m
Wheelbase	Not Controlled
Tandem Axle Spread	Min 1.2 m/Max 1.85 m
Fifth wheel offset (behind centre of drive axle or axle group)	Not controlled
Load Overhang at front of tractor (beyond tractor bumper)	Maximum 1.0 m
Effective Rear Overhang - without load	Maximum 4.0 m
- when loaded with overhanging motor vehicles	Maximum 4.6 m
Semitrailer	
Length	Maximum 14.65 m
Wheelbase	Min 6.25 m/Max 12.5 m
Effective Rear Overhang (excluding overhanging load)	Maximum 4 m or 42% of wheelbase, whichever is greater
Load Overhang at Rear of Semitrailer (provided width of overhang does not exceed 2.3 m)	Maximum 1.2 m
Tandem Axle Spread	Min 1.2 m/Max 1.85 m
Interaxle Spacing	
Single Axle to Single or Tandem Axle	Minimum 3.0 m
Tandem Axle to Tandem Axle	Minimum 5.0 m

Note: Extendable support plates are considered to be part of the load.

Category S1: Stinger Steer Automobile Carrier
Part 2 - Weight Limits



Max 6000 kg

Single Axle - Max 9100 kg
Tandem Axle - Max 17 000 kg

Single Axle - Max 9100 kg
Tandem Axle - Max 17 000 kg

WEIGHT	LIMIT
Axle Weights:	
Steering Axle	Maximum 6000 kg
Single Axle (dual tires)	Maximum 9100 kg
Tandem Axle:	
Axle Spread 1.2 m - 1.85 m	Maximum 17 000 kg
Gross Vehicle Weight:	Sum of Axle Weights
Three Axles	Maximum 24 200 kg
Four Axles	Maximum 32 100 kg
Five Axles	Maximum 40 000 kg

105/14 s8

©Queen's Printer